



**The ultimate
driving
machine**

528e 535i 535is



Lasting value in times of change.



We live in a day and age of rapid change; a day and age often characterized by the simple motto "here today, gone tomorrow". Genuine value, however, is a lasting asset — and there's a big difference between superficial novelty and genuine progress. The true connoisseur therefore realizes that perfection is only to be found where a sound, solid product has been constantly improved, refined and modernized in the best sense of the word. With maximum attention being given to every detail.

The BMW 5-Series is such a product.

It has been a technically outstanding, sophisticated automobile from the start. With exceptional class and quality. Added to this, it has always had the performance and agility that comes with every BMW as the product of a powerful engine with proverbial smoothness and refinement. An engine tuned for supreme performance as in the 535i or for economy as with the 528e.

This engine is matched in all cases by an equally dynamic suspension bred by decades of racing experience.

It is these qualities that put the 5-Series in a class of its own, giving you a unique asset in today's automobile world: lasting value and driving pleasure.



528e

75 FLORIDA
1-464747
SUNSHINE STATE



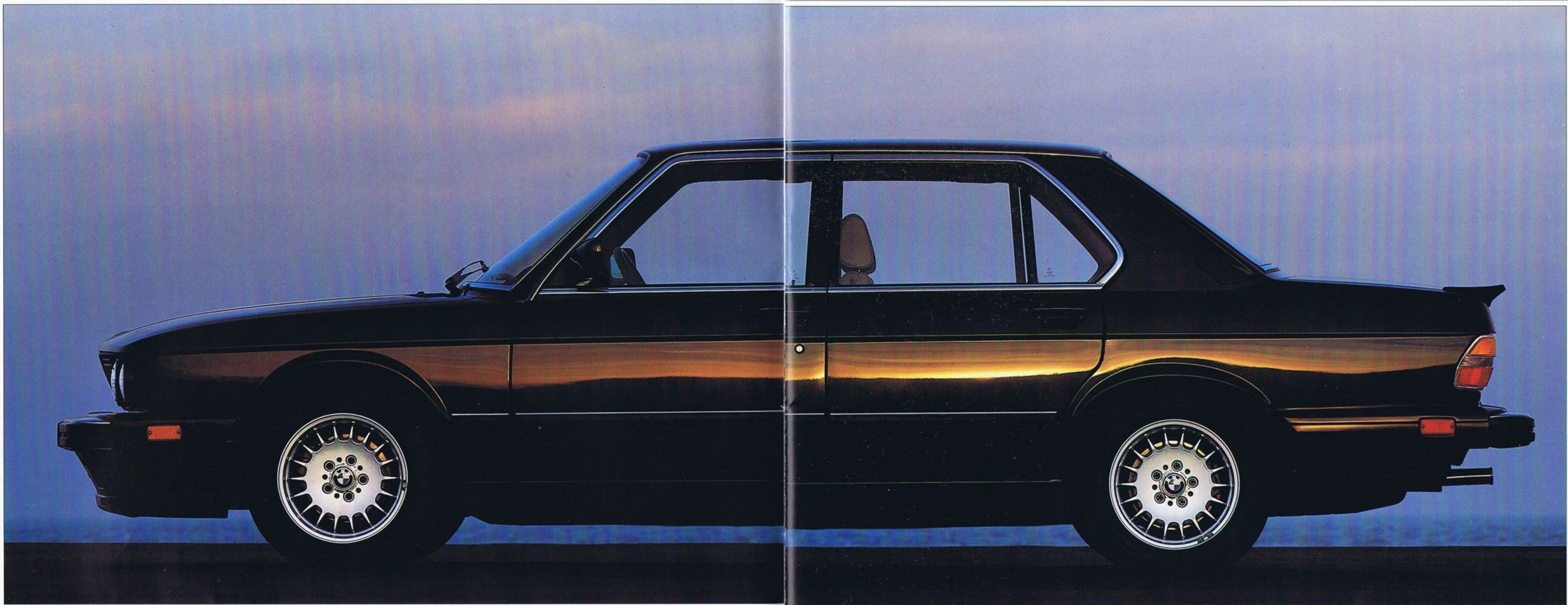
535i

NEW JERSEY
557-YFB
GARDEN STATE



535is

CALIFORNIA
1HJP493



Class and distinction.

A lot has been said and written about the styling of the 5-Series, lauding the clear uncluttered lines of the car. For it possesses an asset rarely found in the automobile world: all-around harmony.

It is the product of meticulous design and painstaking engineering, creating an automobile that stands out on the road. It is a face in the crowd, reminding even the casual observer at a glance of the

worlds between mediocrity and the genuine class of a BMW.

Experts call this the distinctive family resemblance of a special breed of cars. And looking at the 5-Series you will immediately understand what they mean. As on every BMW, the front end leans slightly forward, not just giving the 5-Series a dynamic appearance but also providing a particularly good flow of air to the radiator. Another unmistakable feature is the

characteristic grill with dual circular headlamps.

The power bulge on the hood slowly widens toward the windshield, creating yet another distinctive BMW feature. This list could be continued, because taking a closer look at the 5-Series you will recognize the fine details of that typical BMW style. Details which help to shape the car's superior character.

The 535i is a particularly out-

standing example of the marque. With sports styling and supreme performance in one. Equipped with the BMW sports package, it is strikingly dynamic at first sight and thus differs from its more discreet, equally powerful but less conspicuous counterpart, the 535i. The front spoiler of the 535i, the M Technic rear spoiler (both in body color) and the 165 TR 390 light-alloy wheels make it quite clear what this car has to offer: unique BMW technology making the 535i an exceptional synthesis of sportscar performance and luxury sedan refinement.

MOTORING COMFORT WITHOUT COMPROMISES.

The 5-Series has never succumbed to the dubious urge to achieve "better" streamlining at all costs. For an outstanding drag co-

efficient often means a loss of motoring comfort.

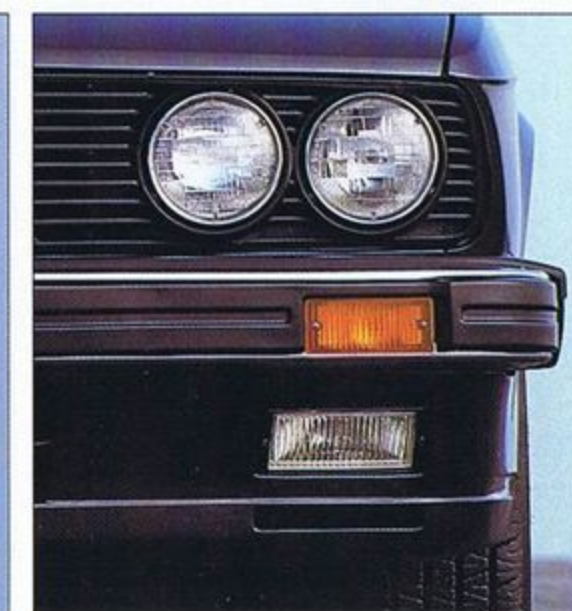
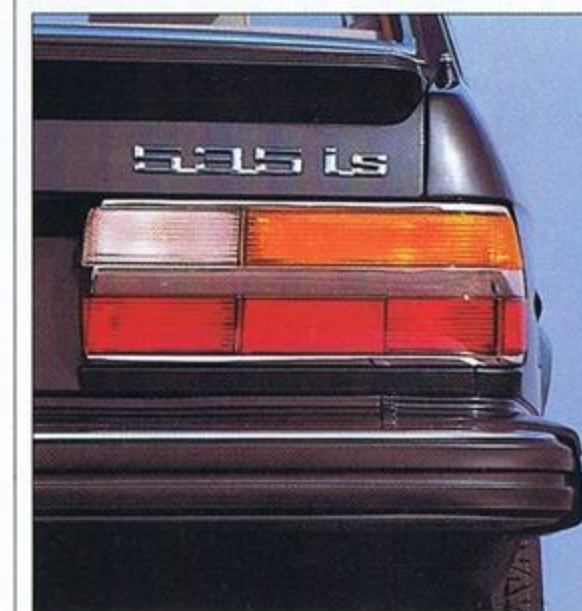
Once a car's windows become too large, for example, raked at too low an angle, you're likely to feel like sitting in a greenhouse in summer.

So while the 5-Series naturally has the benefit of wind tunnel styling, it retains the benefits of classic car design. It is a consistent combination of lasting class and practical everyday value.

The body of the 5-Series is clear-cut and offers exceptionally good visibility for easy parking and maneuvering. That's one example.

The rear seats are spacious and luxurious, offering every creature comfort your passengers may expect. That's another.

Taking this all together, the 5-Series offers both all-around harmony and a touch of distinctive class. A symbiosis of classic beauty and successful technology.



A striking feature. The two-piece M Technic rear spoiler painted in body color (standard on the 535i).

Definitely the 535i. The front view with air dam painted in body color and integrated foglamps.

The BMW stronghold.

The power plants of the 5-Series are the heirs to a long and successful tradition. For BMW's middle initial stands for motor. The motor, the entire drive system has therefore always been a particular commitment for BMW. A commitment to quality, innovation and technology clearly proven by the 6-cylinder inline power plants of the 5-Series with their magnificent refinement and smooth but dynamic power.

THE 528e. A VERY SPECIAL CONCEPT.

The BMW 528e would qualify as one of the world's most advanced technology centers, were its true calling not something even more profound: a civilized, four-door luxury sedan whose astounding technology only renders it that much more civilized.

As such, the new, more powerful 528e offers drivers an experience akin to "piloting a precision

aeronautical machine rather than a mere automobile" (Motor Trend).

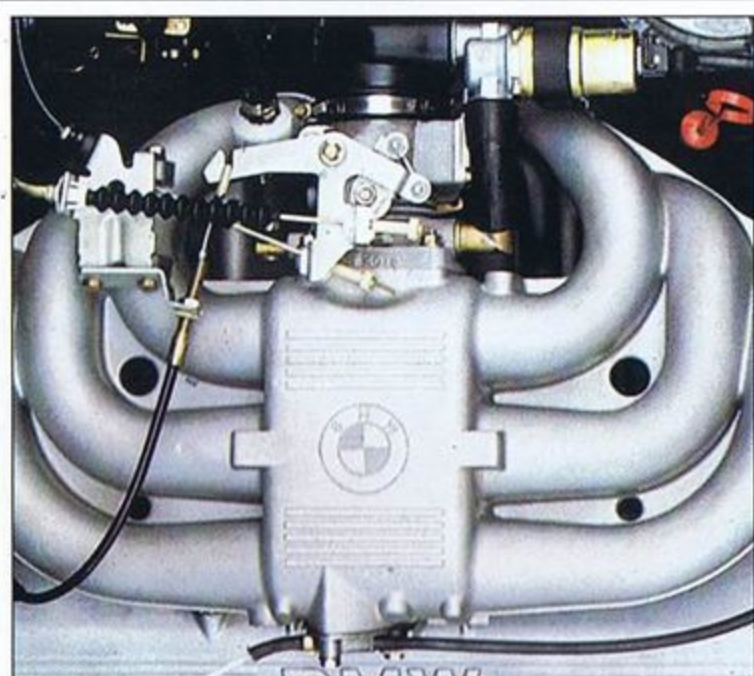
Displacing 2.7 liters or 164 cu. in., the 127 hp 6-cylinder engine of the 528e is strong, economic and smooth all in one. Hundreds of times a second, microprocessors adjust this engine for peak performance. The powerful torque of 170 ft.-lb. comes at just 3200 rpm, giving the 528e exceptional acceleration and flexibility.

THE 535i/is. THOROUGHBREDS BUILT FOR SUPERIORITY ON THE ROAD.

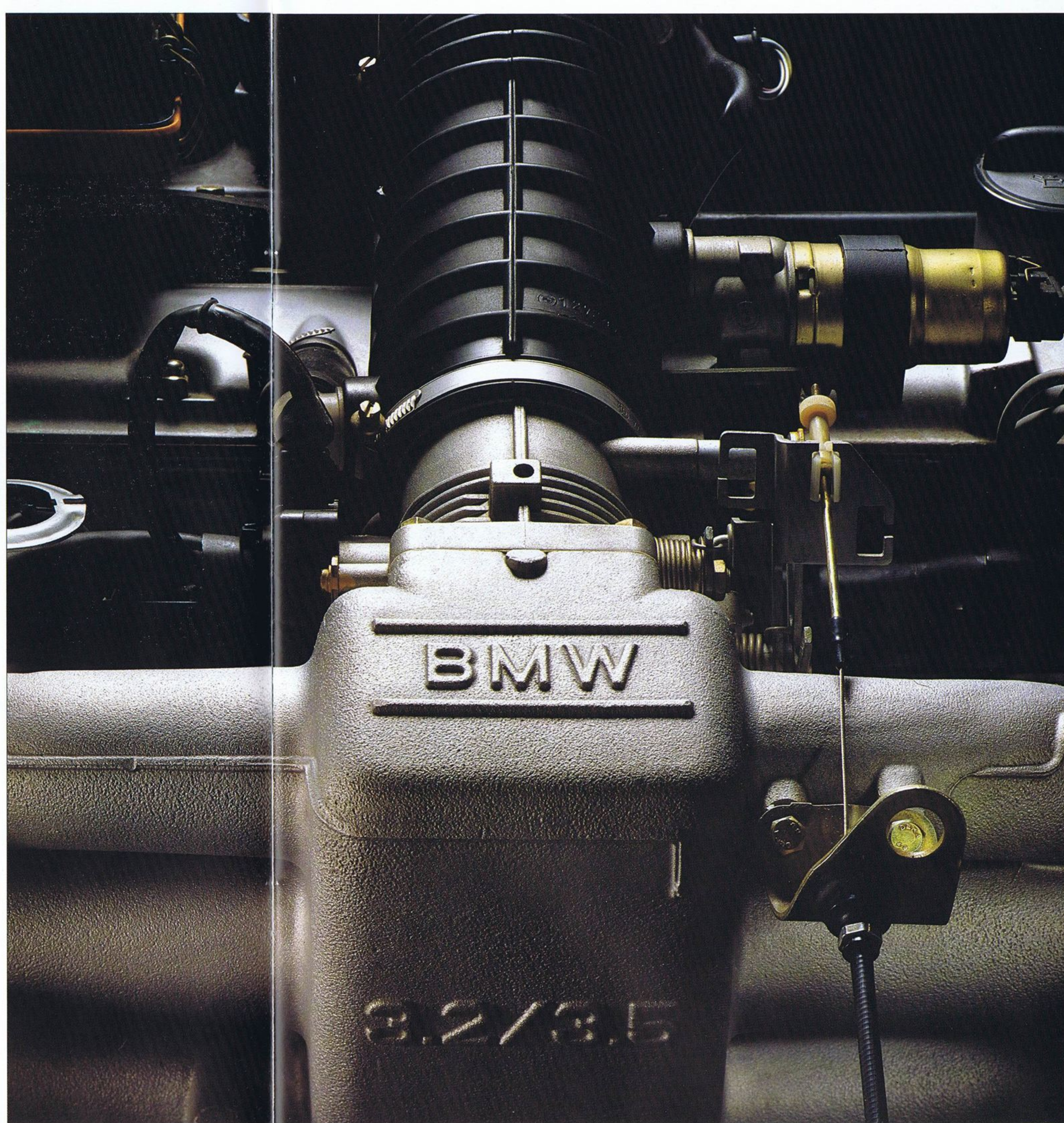
The power plant of the 535i and 535is is built for supreme performance. Just consider the specifications of the 3.5-liter (209.3 cu.in.) 6-cylinder inline engine and you will certainly get the message: 182 hp at 5400 rpm and maximum torque of 214 ft.-lb. at just 4000 rpm. With this kind of power, the 535i and 535is will keep cool and superior even when the going gets tough.

ELECTRONIC EFFICIENCY.

BMW was the world's first automobile manufacturer to introduce Digital Motor Electronics, subsequently perfecting this unique system to an ever-increasing standard. DME constantly monitors engine speed, road speed and accelerator position, relating this data within fractions of a second to the outside temperature and air density. The result is highly accurate ignition timing and injection control, providing an optimum balance of high performance, low fuel consumption and clean exhaust emissions.



The 6-cylinder inline engine of the BMW 528e — where the "e" signifies a very special kind of power output: Substantial torque and pulling force with low engine speeds.



Refinement to the last detail.

To be absolutely perfect, the suspension of an automobile requires one all-important asset: harmony. It must fulfill many otherwise contradictory requirements. One necessity is that it has to be firm and taut for fast and safe cornering. Another is that it must have ample spring travel to give passengers a pleasant, comfortable ride. It requires excellent directional stability, but it must keep the car agile and nimble. The steering must give the driver a good "feel" for the road particularly at high speeds, while keeping steering forces at a minimum when parking and maneuvering at low speeds.

To fulfill all these requirements and many more, a car's suspension must be sophisticated in design and superior in technology. Receiving attention to the last detail.

Particularly the axles are of great importance and therefore come first in this meticulous design process.

THE FRONT AXLE...

The 5-Series features a double-pivot MacPherson spring strut front axle, a concept that offers numerous benefits such as good directional stability and anti-dive for greater driving comfort and safety when braking. The anti-roll bar minimizes the side angle of the vehicle in turns and contributes further to directional stability.

... AND THE REAR AXLE. SMOOTH INTERACTION.

The wheel geometry of the multi-link semi-trailing arm rear

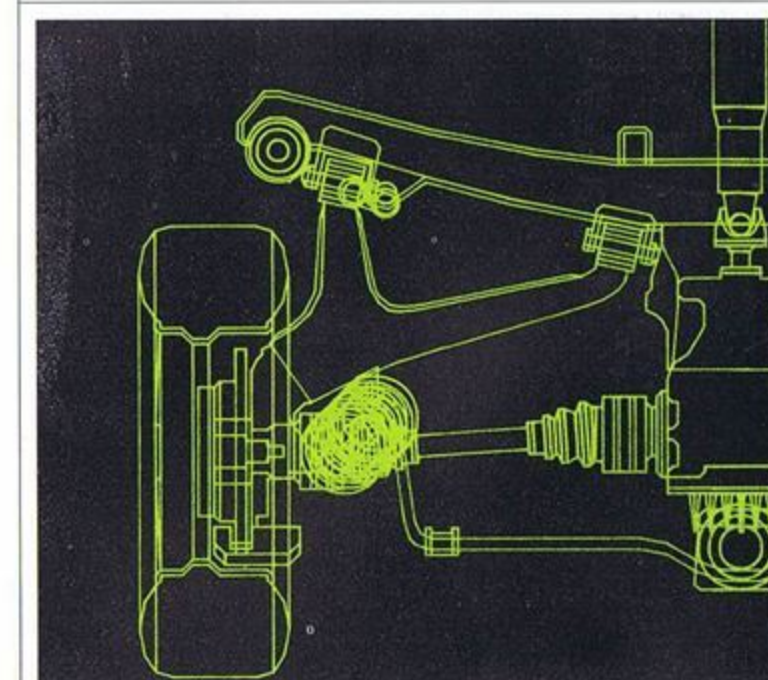
axle gives the 5-Series neutral roadholding.

The overall quality of the suspension results from the perfect interplay of these two sophisticated axles. Through their harmony and carefully-matched features, they ensure precise steering.

Giving the driver a good "feel" for the road, the 5-Series makes yet a further contribution to driving safety by enabling the driver to respond smoothly and without stress even in an extreme situation.

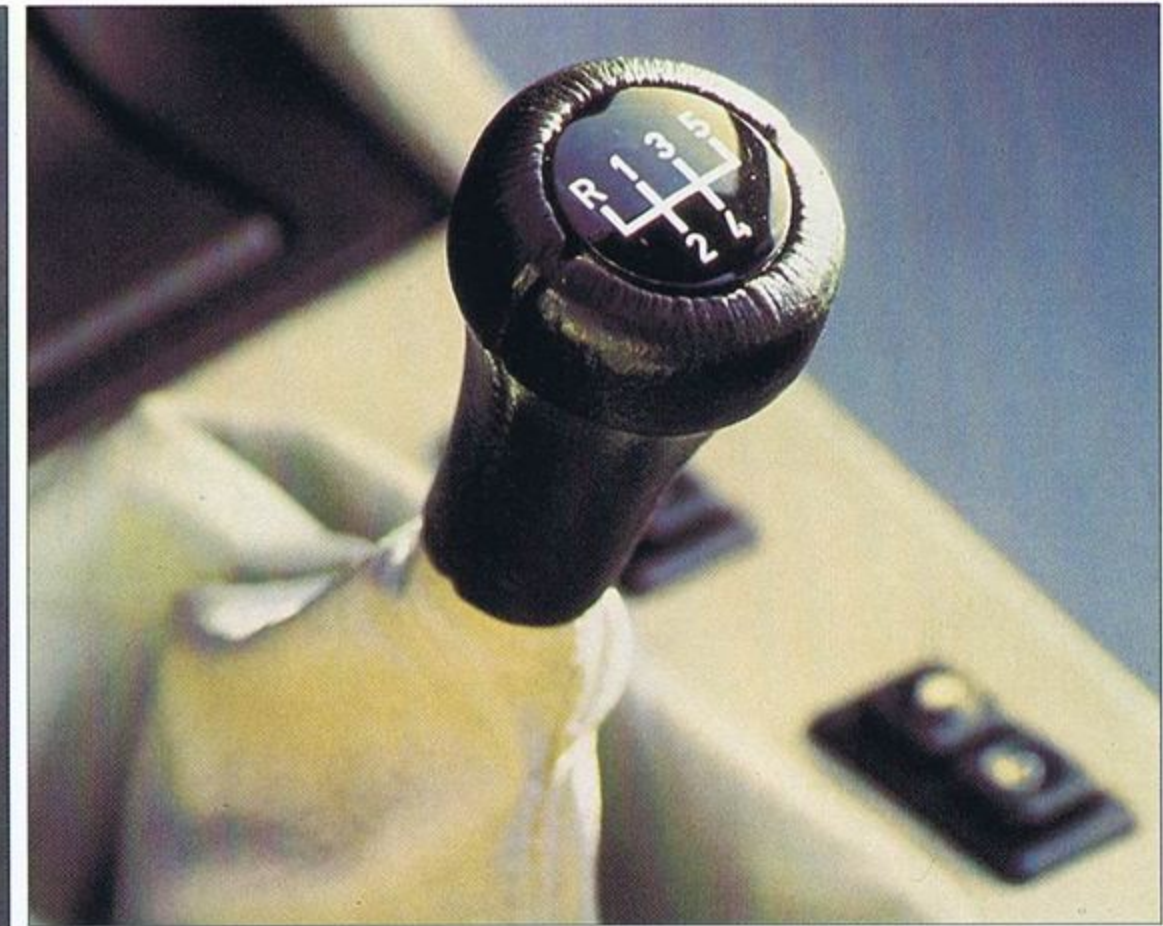
ADDING THAT SPECIAL TOUCH OF SPORTING BEHAVIOR.

Over and above these technical features, the 535i offers all the other sporting amenities the enthusiastic driver will desire. From sports tuning with single-tube gas pressure shock absorbers all the way to a hydraulic brake servo carefully matched to the power of the engine. Even in extreme situations this suspension can therefore take virtually every challenge, offering dynamic per-



Independent suspension on the multi-link semi-trailing arm rear axle swept back by 13°. A guarantee of brilliant handling.

At the wheel of a BMW 5-Series you'll experience more driving pleasure every mile you go. You'll find yourself literally looking forward to the next turn, which you can then take smoothly and safely thanks to your car's precise and harmonious suspension. The combination of double-pivot MacPherson struts up front and a multi-link semi-trailing arm rear axle is one of the most sophisticated concepts in automotive engineering. The 5-Series remains on course, no matter whether you're on a long straight or taking a tricky hairpin turn. You can feel the perfect unison of safety, comfort and performance.



The 5-speed manual gearbox of the 5-Series has a smooth, precise gearshift and provides a perfect match for the engine.



Four-speed automatic transmission (optional) with a special feature: The converter lock-up clutch provides a positive engagement of 3rd and 4th gear, ensuring absolute running smoothness without the slightest slip that takes away some of the engine power on a conventional transmission.

formance at its best.

THE TRANSMISSIONS.

A perfect drive system also requires an optimum match of engine and transmission. To reach precisely this objective, the 528e for example has a two-mass flywheel for reliably absorbing engine vibrations, eliminating virtually the last bit of noise in the transmission of power through the drive train. The 528e is fitted as standard with a 5-speed manual gearbox providing a smooth and precise gearshift.

Four-speed automatic transmission with converter lock-up clutch is available as an option. Acting as a genuine overdrive, the 4th gear on this automatic reduces engine running speeds, minimizes strain on the engine, ensures even better gas mileage and means an even lower noise level inside the car at high speeds.

Another — even more significant — asset for pleasant and safe motoring is the electronic/hydraulic control of the automatic transmission on the 535i and 535is. An outstanding achievement of automotive technology, EH control offers

three different driving programs. First, you can choose a sportier, more dynamic gearshift by setting EH control to the "S" position. Your next option is to choose a particularly economic style of motoring ("E" position). Last but certainly not least, you can select to shift gears manually ("3-2-1" position).

On slippery roads in winter, for example, this enables you to start off in 3rd gear — smoothly and without the wheels spinning. The transmission gets all the engine power onto the road even in such adverse conditions.

THE BRAKES.

The 5-Series has disc brakes all round, inner-vented at the front. This keeps the brakes cool in all situations for maximum stopping power without fading.

The brakes are operated via a diagonal twin-circuit brake system that guarantees full braking efficiency even if one entire circuit should fail to operate. Once again providing straight stopping power.

The anti-lock brake system fitted as standard features no less than four sensors for optimum control. It ensures that the running

speed of each wheel is measured most accurately and that the brakes are applied exactly in line with road conditions so that the wheels will not lock.

This enables the driver to steer at all times, even when applying the brakes all-out in an emergency.

THE STEERING.

The steering of the 5-Series is accurate and safe — with a safety steering column adjustable for reach. Power assistance comes as standard, gearing the exact amount of assistance provided to

the speed of the engine. At low engine speeds, for example when parking, power assistance is greatest. It is then noticeably reduced as engine speed increases, improving the car's crisp handling and responsiveness to an even higher standard.

Features such as these all act together to make the suspension really outstanding. A product of sophisticated engineering and many technical refinements. A masterpiece.



The moment of clarity.

The quality of a car's cockpit must be measured by two factors: First, how quickly can you take in important information? Second, how easily and reliably can you then take the necessary action — efficiently and without risk of confusion? Together, these two factors are crucial to the safety you will experience in your car.

SYSTEMATIC INFORMATION.

Even a brief glance at the instruments means taking your eyes off the road. To keep this glance

really brief, therefore, the controls and instruments must provide information systematically. With "automatic" priorities. And information must be displayed the way we are used to, enabling the driver to take in everything he sees quickly and clearly.

The cockpit of the 5-Series in typical BMW concave design presents all the particularly important instruments directly in the driver's line of vision. Large and clear, right in front of his eyes.

The most important instruments are the largest. All instruments have analog dials, the indi-

cators themselves providing all the information even if you don't read the figures.

Less significant instruments are smaller. They are marked by symbols you will easily remember. Or they provide precise digital readings.

This cockpit system consistent-



The Service Indicator tells you when routine service or an oil change is recommended, based on your personal style of driving.

COCKPIT

ly refined to perfection through years of experience has set the standard for many others.

SYSTEMATIC CONTROLS.

The principle applied to the instruments is equally valid for the car's controls, levers and switches in the cockpit.

They, too, are arranged in a slight arch around the driver, ensuring that virtually all controls are

at the same distance, always within easy reach. The most important functions are controlled directly from the steering wheel. The driver never has to lean forward to operate the controls — which means not only extra comfort but also greater safety at the wheel.

THE MAN/MACHINE SYSTEM.

Three active information systems support the driver of the

5-Series and relieve him of the usual routine chores.

The first of these information systems is the Service Indicator, which determines the actual strain on the car based upon engine speed, engine temperature, mileage covered and time elapsed. Analysing each driver's personal style of motoring, the Service Indicator provides the routine service program for your car and avoids superfluous check-ups at

the workshop.

Information system No. 2 is Check/Control. Like an electronic nervous system it permanently monitors all important vehicle functions, detecting even the smallest deficiencies before they can become a problem. Inadequate engine oil, for example, is shown by a red light-emitting diode on the Check Display fitted in a prominent position above the rearview mirror. Check/Control will

also tell you automatically if one of the brake lights isn't working, so that you don't have to rely on other motorists giving you signs. A very significant contribution to safety on the road.

The third indispensable helper for the driver in the cockpit of the 528e, 535i and 535is is the on-board computer. Controlled conveniently from the steering column, it calculates the range the car can cover on the fuel remain-

ing in the tank, your average fuel consumption and when to stop for gas. It provides an acoustic signal as soon as the outside temperature drops to 35°F and there's a risk of icy roads. Through a code known only to the driver, it helps safeguard the car from theft, or it may simply remind the driver of an important radio program he'd like to hear.

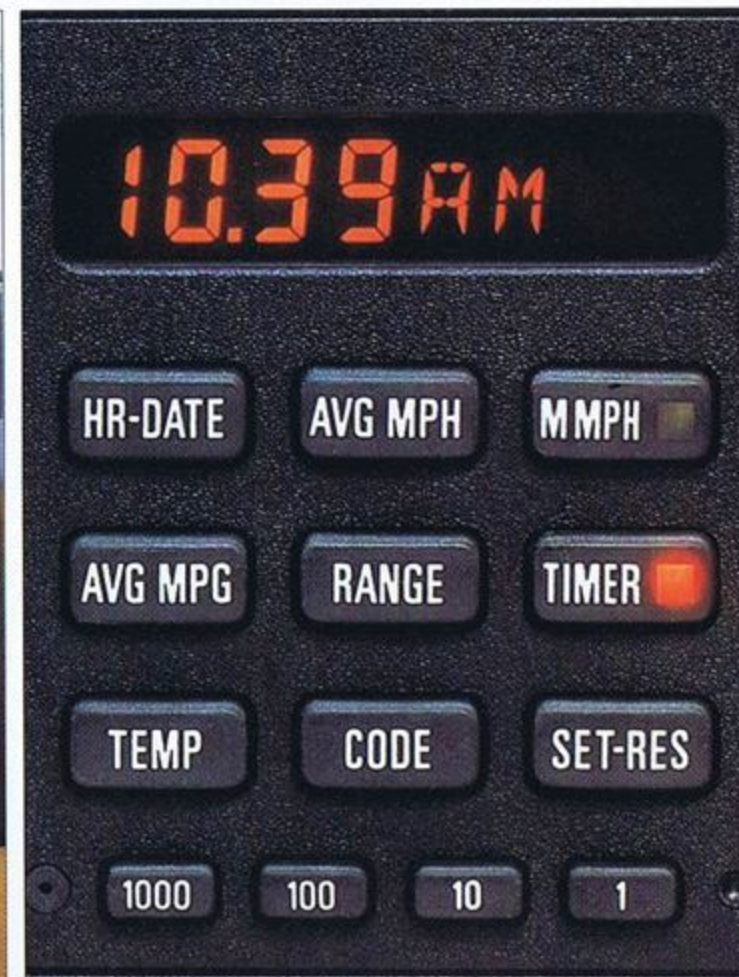
Once you get to know all these functions you'll appreciate the on-board computer so much that you will really wonder how you used to get by without it.

Another important amenity is cruise control. Just choose your speed and press a button — then cruise control will take over, maintaining the desired speed until further notice. A very helpful asset particularly on long interstate journeys.

The BMW cockpit arched around the driver is based on one supreme criterion: your personal convenience and safety. All the instruments face directly towards you, they are combined in logical groups and ergonomically designed. All the controls are within easy reach from your body contoured seat. For safe, relaxed motoring.



COCKPIT



The on-board computer is controlled conveniently from the steering wheel. A sophisticated but

straightforward instrument to give the driver maximum assistance.



Check/Control is an active safety system that leaves nothing to chance: It discovers many deficiencies before they can

become a problem. A red indicator light in the Check Display will come on, for example, if the engine oil drops too low.



Large. Lavish. Luxurious.

It almost goes without saying that all the seats in a BMW meet the highest standard and satisfy every creature comfort. Excellent side support, a fatigue-free seating position, orthopedically designed backrests — these are just some of the requirements fulfilled by the seats of a BMW designed to give you and your passengers a relaxed, comfortable ride at all times. Not too soft and not too hard. Even the rear seats offer lots of space on long journeys.

With ample legroom for stretching and relaxing.

A center armrest between the driver and front passenger ensures extra comfort in the 528e and 535i. The front seats adjust individually in numerous ways and directions. The front seats even have electric adjustment including seat height and angle.

In conjunction with the steering wheel adjustable for reach, this gives every driver his ideal seating position for safe, relaxed

motoring.

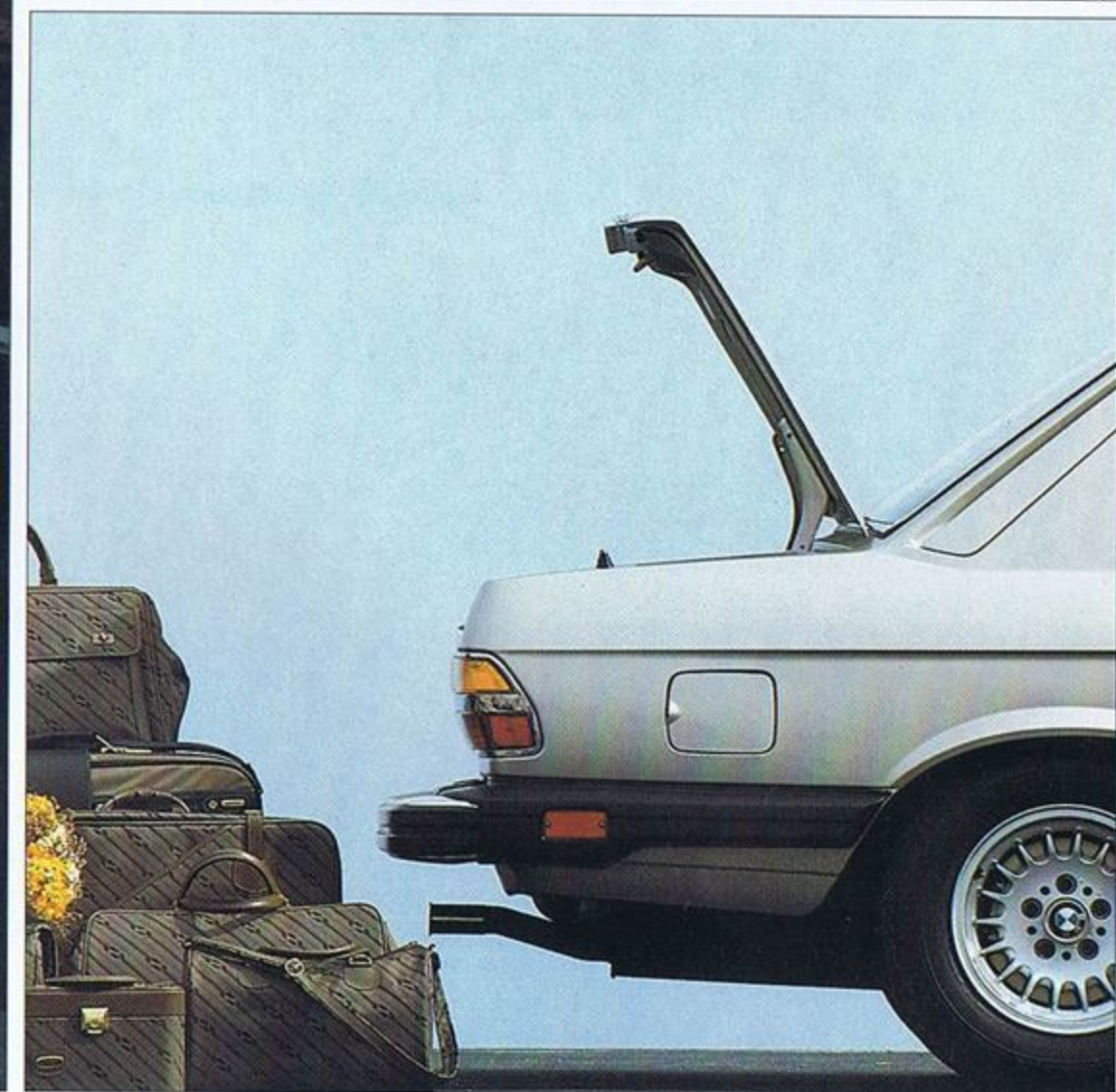
The 5-Series therefore has perfect seats in a large and lavish interior. To add luxury to this high standard, leather upholstery is standard on the 535i and 535is (optional on the 528e).



The rear seats of the 5-Series. Ergonomically designed and with center armrest, they offer superb motoring comfort even on long distances. Ample leg-room ensures a relaxed seating position.



The electric steel sliding/vent roof provides a good supply of fresh air without causing irritating wind noise and turbulence. The wind deflector automatically moves into position when the roof is opened and avoids drafts.



The large and uncluttered trunk of the 5-Series provides easy access offering lots of space for carrying all your luggage.

ELECTRONIC TEMPERATURE CONTROL.

The quality of the seats and the space of the interior in the 5-Series is matched by the sophisticated temperature control for pleasant conditions in every kind of weather. Air conditioning with electronic temperature control comes as standard, automatically maintaining the predetermined temperature regardless of engine speed and outside temperature. In winter the efficient heater ensures pleasant conditions also for your passengers at the rear.

The three-stage high-efficiency blower provides maximum air throughout even at low engine speeds — without drafts and loud noise.

BUCKLE UP. A PLEASANT EXERCISE IF YOU HAVE THE RIGHT BELTS.

A comfortable, convenient seat belt system helps to ensure that the driver and his passengers always buckle up. Simple, quick use of the belts is just as important as the right feeling when the belts are fastened. This is why the 5-Series has a very carefully designed seat belt system on both the front and rear seats.

The front seat belts for single-handed operation fit smoothly into the locks on the seats themselves.

This ensures optimum belt geometry regardless of your seat position. The belts also adjust to body size through two different settings on the center roof pillar.

The locks for the rear seat belts are recessed in the backrest. This enables passengers to choose their ideal seating position at all times. It also helps to keep the seats tidy and belts within quick, convenient reach.

COMBINING COMFORT WITH PERFORMANCE.

The 5-Series offers virtually every creature comfort you can imagine. But we have also made every effort to keep it a dynamic, performance-oriented automobile. For we at BMW feel there's a big difference between relaxed motoring in style and slow, sluggish luxury.

Applying this principle to the passenger compartment of the 5-Series, it means creating an active environment for genuine driving pleasure. An ideal synthesis of

superior comfort and dynamic performance.



A nice, practical 150mph family sedan.

There is also a very special 5-Series. A car that convincingly demonstrates the performance and safety reserves this automotive concept is able to offer. The M5.

The 5-Series bodyshell taken from the production line and des-

igned to become an M5 goes to BMW Motorsport GmbH for ultimate — and we mean ultimate — refinement and perfection by skilled craftsmen. With painstaking quality and precision.

The BMW M5 is built for a small number of the most discern-

ing enthusiasts. This means that virtually every special feature, every option is available, such as complete leather upholstery including even the instrument panel from top to bottom, door linings and center console front and rear.

So that every time you open

the door of the M5 you will be fascinated once again by an atmosphere of dynamic performance and luxury.

The M5 obviously undergoes the most sophisticated technical modifications, too. Among other things it's fitted with modified axles incorporating special shock absorbers. The disc brakes are extra-large and efficient. The wide light-alloy wheels built for high speeds are checked and cross-checked for perfect quality. Then comes the final touch:

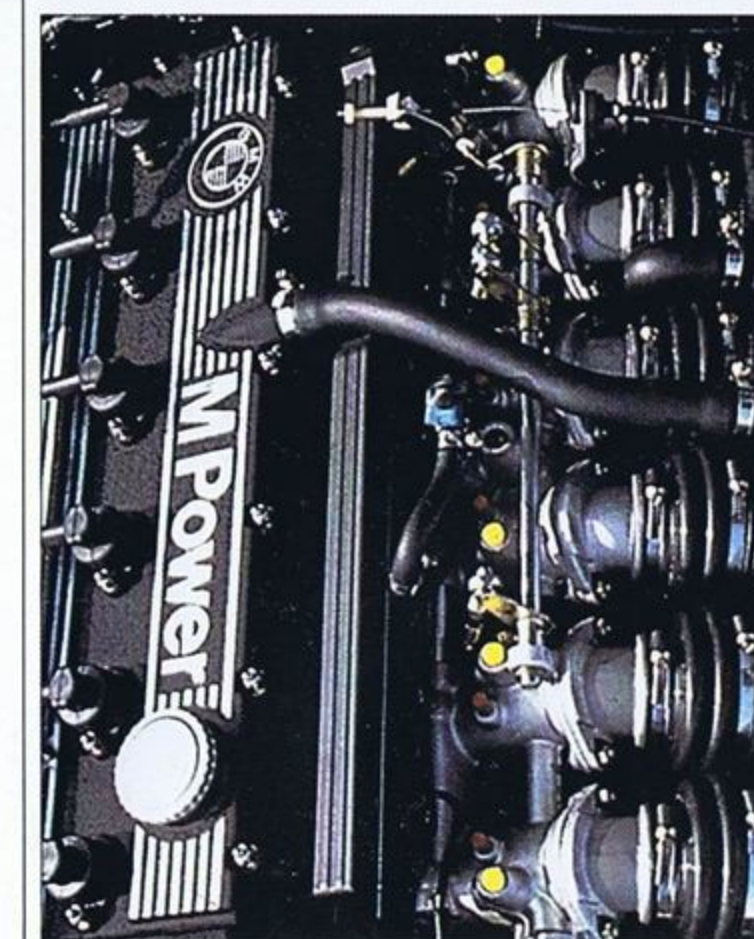
BMW'S CONCEPT OF HIGH PERFORMANCE.

The M5 features the straight-

six 24-valve power unit developed from the engine of the legendary M1. Bred by the race-track, this engine has now been tamed for reliable everyday motoring.

256 hp accelerate the M5 to 60 mph in a mere 6.7 seconds. Staggering torque of 243 ft.-lb. gives the car the kind of power and performance only the most exotic sportscars are otherwise able to offer.

This outstanding performance comes without spoilers, without side-sills and conspicuous wings on the car. Everything is hidden beneath the elegant sheet-metal of the M5 only the true connoisseur will know that this is the fastest production BMW of the line.



The M Power engine of the BMW M5. Fascinating high performance and everyday reliability in one.

A pledge to performance.

An automobile is more than just the sum of its parts. It is a technical composition that evolves slowly but surely in countless hours of pains-

taking development. In the designer's initial studies on the drawing board, in the engineer's research and development center and in the factory itself, where

new, more efficient production concepts are checked and considered. For it is only the harmonious interplay of all these processes and components that gives an au-

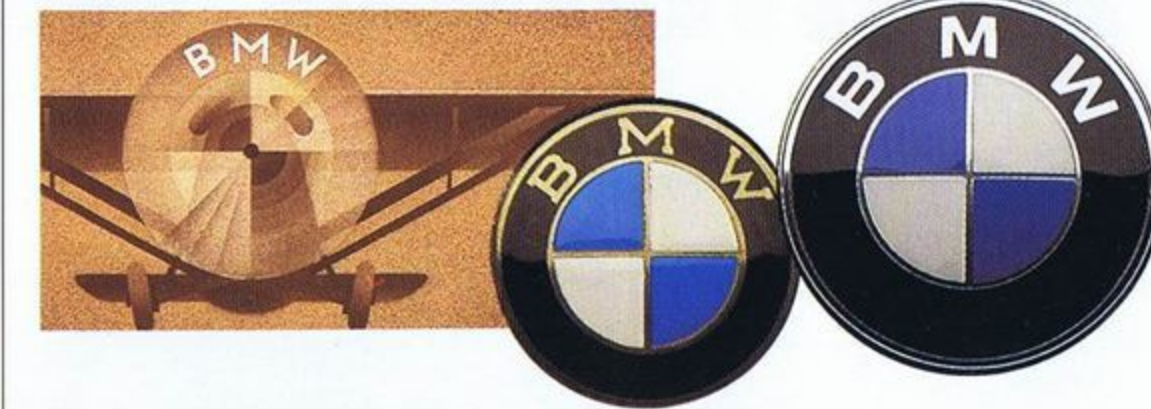
tomobile its final character. Design, styling, quality, engine performance and suspension technologies thus become the unmistakable features that shape an automobile.

To this day, in an age of mass production, BMW automobiles have preserved their strong, unique character. They have power plants with proverbial smoothness and refinement — power plants the connoisseur can recognize by their sound alone. They have clear-cut design and styling based on the rule that form follows function. And they have a suspen-

sion that guarantees dynamic motoring BMW-style.

BMW does not build slow and sluggish cars — and never will. For as long as there is BMW, every car will be conceived, designed and built for active motoring pleasure. Offering pure joy of

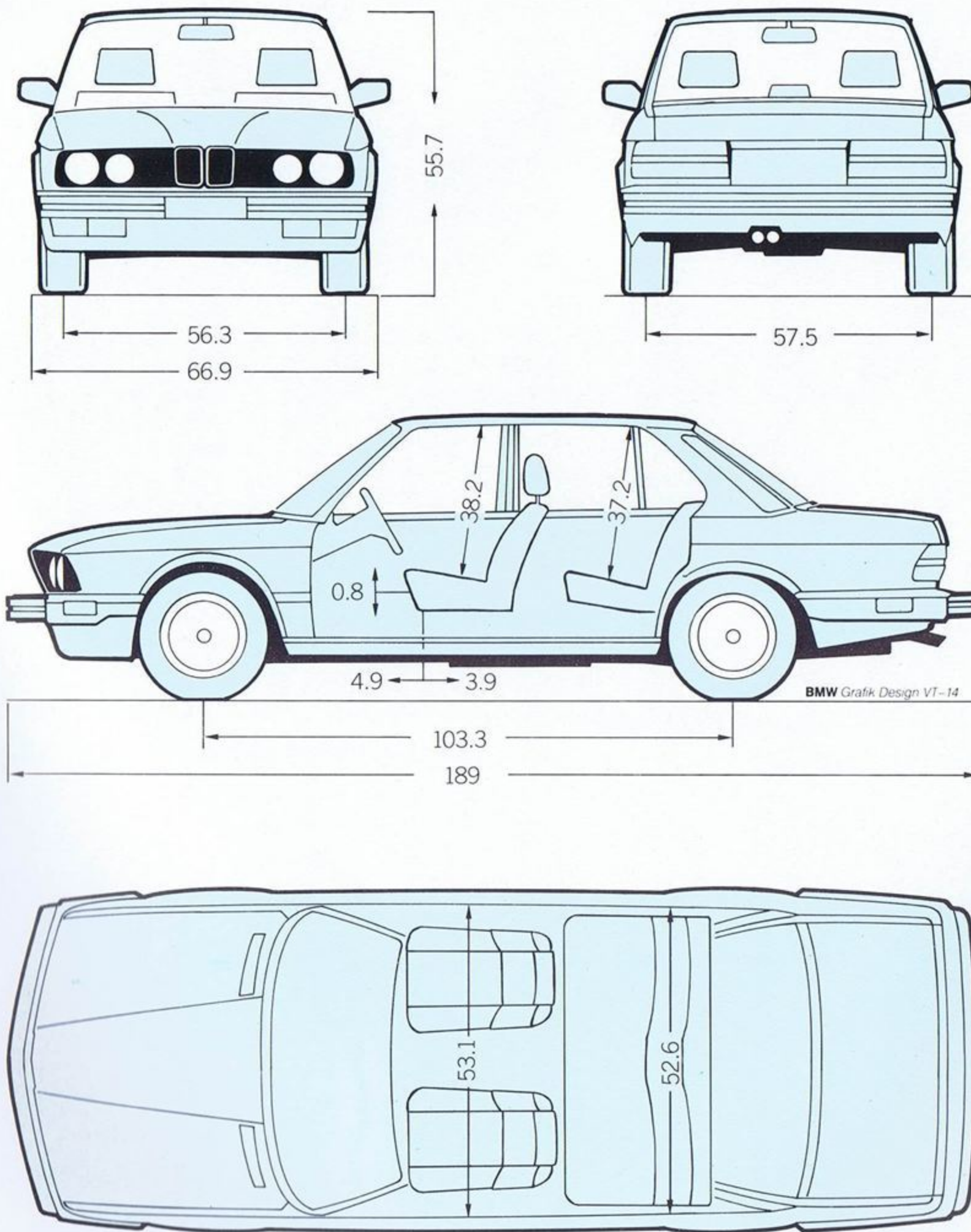
motoring at all times. The ultimate driving machine.



The BMW symbol of a rotating propeller reflected in history. A synonym for constant performance, innovation and quality.



Technical data.



528e 535i/535is M5

WEIGHT				
Unladen	lbs	3100 (3140)	3270 (3310)	3420
Max. permissible	lbs	4115 (4155)	4285 (4325)	4390
Permitted load	lbs	1015	1015	970
Permitted axle load front/rear	lbs	2005/2270	2115/2335	2115/2335
Permitted roof load	lbs	165	165	165
POWER PLANT				
Cylinders		6	6	6
Capacity	cu.in.	164.3	209.3	210.7
Stroke/bore	inch	3.19/3.31	3.39/3.62	3.31/3.68
Nominal output/rpm	hp (SAE)/min	127/4800	182/5400	256/6500
Max. torque/rpm	ft.lb/min	170/3200	214/4000	243/4500
Compression ratio/fuel grade	:1	9.0/unleaded 91 RON (87 AKI)	8.0/unleaded 91 RON (87 AKI)	9.8/unleaded 95 RON (90 AKI)
TRANSMISSION				
Standard gearbox ratios I/II/III	:1	3.83/2.20/1.40	3.83/2.20/1.40	3.51/2.08/1.35
	IV/V/R	:1 1.00/0.81/3.46	1.00/0.81/3.46	1.00/0.81/3.71
Final drive ratio	:1	3.25 (3.46)	3.25 (3.25)	3.91
PERFORMANCE				
Drag coefficient		0.38	0.40/0.37	0.42
Top speed	mph	116 (113)	134 (130)	150
Acceleration 0-60 mph	sec	10.4 (12.1)	7.7 (9.4)	6.7
1/4 mile	sec	17.5 (18.6)	16.1 (17.1)	15.0
FUEL CONSUMPTION*				
5-speed standard gearbox				
City	mpg	19 (19)	15 (16)	10
Highway	mpg	25 (23)	21 (21)	19
WHEELS				
Tire dimensions		195/70 R 14	200/60 VR 390	225/50 VR 16
Wheel dimensions		6 1/2 J x 14 light alloy	165 TR 390 light alloy	7 1/2 J x 16 light alloy
ELECTRICAL SYSTEM				
Battery capacity	Ah	75	75	90
Alternator output	A/W	90/1260	90/1260	90/1260

Numbers in () apply to vehicles with automatic transmission and EH control.

* EPA-estimated figures are for comparison purposes only. Your actual mileage may vary, depending on speed, weather and trip length: actual highway mileage will most likely be lower.

528e 535i 535is

BODY

Four-door sedan, monocoque all-steel bodywork welded to the floor assembly, torsionally rigid safety cell on all planes, front and rear crumple zones with predetermined deformation, integrated roof crossbar, all-around body reinforcements.

Fuel tank capacity: 16.6 gal.

POWER PLANT

Water-cooled 6-cylinder 4-stroke in-line engine, longitudinally mounted and inclined, light-alloy cylinder head, high efficiency crossflow radiator, spherical combustion chamber, overhead camshaft with 4 bearings, crankshaft running in 7 bearings with 12 counterweights.

Digital Motor Electronics with electronic grid-controlled ignition and grid-controlled air volume-metered fuel injection, warm-up control grid and cold start control, engine overrun control, self-learning idle speed control, on-board diagnosis and emergency running capability. Catalytic converter with heated lambda probe for unleaded 91 RON fuel. Activated carbon filter with controlled tank ventilation. Exhaust with twin tailpipes.

535i/535is

Combustion chamber with special contour around spark plugs.

Long-life exhaust system with two silencers and twin tailpipes.

M5

Two-piece 24-valve light-alloy cylinder head, crossflow principle. Two overhead camshafts with 7 bearings. Two-stage electric fan with high-efficiency radiator, engine oil cooler, two catalytic converter exhaust pipes in parallel monolith arrangement with heated lambda probe for 95 RON fuel.

SUSPENSION/TRANSMISSION

Standard drive: engine at the front, power transmission to rear wheels. Hydraulically actuated single-plate clutch with diaphragm spring. Two-mass flywheel. 5-speed manual gearbox (top speed in 5th gear) with synchromesh on reverse gear.

Double-pivot MacPherson strut front axle with rubber auxiliary springs and anti-roll bar. Multilink semi-trailing arm rear axle with anti-roll bar (swept back by

13°), anti-squat. Power steering with assistance geared to engine speed. Swing-caliper disc brakes front/rear, ventilated at the front, handbrake acting mechanically on additional drum brakes at the rear. Safety steering column adjustable for reach.

Twin-circuit brake system with hydraulic brake servo, asbestos-free brake pads. Anti-lock brake system.

6 1/2 J x 14 steel wheels with flush wheel covers, 195/70 R 14 steel radial-ply tires.

535i/535is

Reinforced final drive. Sports-tuned suspension with single-tube gas pressure shock absorbers. 165 TR 390 cast light-alloy wheels, 200/60 VR 390 low-profile tires.

M5

Sports-tuned suspension with anti-roll bars and twin-tube gas pressure shock absorbers at the front, hydraulic self-leveling at the rear. 7 1/2 J x 16 BMW cast light-alloy wheels in cross-spoke styling, 225/60 VR 16 low-profile tires.

Hydraulically actuated single-plate dry clutch with offset spring, torsional vibration damper and automatic adjustment for wear.

5-speed sports gearbox with synchromesh also on reverse gear.

EXTERIOR FEATURES

Dual circular headlamps integrated into radiator grill. All-around parking protection through wrap-around bumpers and rubber side strips. Safety aluminum bumpers with impact absorbers front/rear. Hood supported when open by torsion bar and gas pressure spring.

Laminated windshield, heated rear window. Both rearview mirrors heated and electrically adjustable. Chrome strips in door frames. Lockable fuel tank filler cap (one key for all locks), holder for tank cap on filler flap. Central locking also for fuel tank filler flap.

Hollow cavity preservation, under-sealing, 6-year limited warranty against rust perforation provided rustproofing is checked annually.

Tinted heat-insulating glass.

535is

Front air dam, M Technic rear spoiler, both rearview mirrors painted in body col-

or, limited range of paintwork colors.

M5

Blacked-out chrome. Both rear view mirrors painted in body color. M Technic rear spoiler. "M5" insignia in front left ornamental grill and rear right panel with BMW Motorsport stripes.

INTERIOR FEATURES

Full velour carpeting of entire floor and parcel shelf. Lockable, illuminated glove compartment. Storage spaces on instrument panel, rear center console, storage boxes in front doors, small tray for coins, etc. on front center console. Armrests on front and rear doors, with integral grab handles at the front, center armrest at the front, illuminated safety ashtray and cigar lighter, foam-padded 4-spoke steering wheel, dia. 15 3/4", leather stickshift knob secured in position.

Reclining front seats with electric seat adjustment. Rear seats with individual body contour and center armrest.

Inertia-reel seat belts front/rear, lap belt in the middle, rear seat belt locks recessed in backrest, belt retainer at the front.

Spare wheel beneath trunk floor, trunk illuminated, fully lined and with padded edges for safe loading. Large toolbox with lining integrated in trunk lid. Trunk capacity 16.1 cu.ft.

535i

Leather sports steering wheel, dia. 15", leather stickshift knob and boot, leather upholstery.

535is

Electrically adjustable BMW sports seats at the front with thigh support, no center armrest.

M5

Complete interior finished in top quality leather upholstery, leather lining on doors incl. frames and storage boxes, on center consoles and lower half of instrument panel. Leatherette roof lining, upper half of instrument panel and door-sills with soft surface lining.

M Technic leather sports steering wheel. BMW sports seats with M Technic clips on front and rear backrests, driver and front passenger seats electrically adjustable for height and angle, no center

armrest, front headrests adjustable for angle.

ELECTRICAL SYSTEM

Dual halogen headlamps with larger lens diameter for low beam, foglamps, two back-up lights. Rearview mirrors on both doors heated and electrically adjustable. Instruments and controls grouped in semi-circular layout around driver, electronic speedometer.

Energy Control (fuel consumption gauge), electronic tachometer, Service Indicator, fuel and coolant gauges, Check/Control with active display above windshield with automatic verification with the ignition switched on of low-beam headlamps, brake lights, tail lights, license plate illumination, coolant level, windshield washer reservoir level, engine oil level; central indicator light in instrument cluster. Fasten seat belts symbol. Courtesy lights with delay function. Digital clock integrated in on-board computer. Electric windshield washer with automatic wash/wipe and fingertip control, two wiper speeds, intermittent wipe. Cruise control operated from steering column. Air conditioning, BMW Sound System with 8 high-output loudspeakers, on-board computer, electric windows, electric steel sliding/vent roof.

Heating/ventilation: Fresh-air heater independent of engine speed, quiet 3-stage blower, defroster nozzles for windshield and side windows, fresh air supply through 4 outlet grills at the side and in the middle with a wide range of vertical/horizontal adjustment and separate on/off control.

535is/M5

Foglamps integrated in front spoiler.

U.S. Importer:
BMW of North
America, Inc.
Montvale,
N.J. 07645

**BMW reserves
the right to make
changes in speci-
fications, standard
and optional equip-
ment without prior
notice. Further
information can be
obtained from your
BMW dealer.**

**©BMW AG, Munich/
West Germany
Not to be repro-
duced wholly or in
part without written
permission of
BMW AG, Munich
7 11 05 01 25
1/87 VM. Printed in
West Germany 1987.**

